



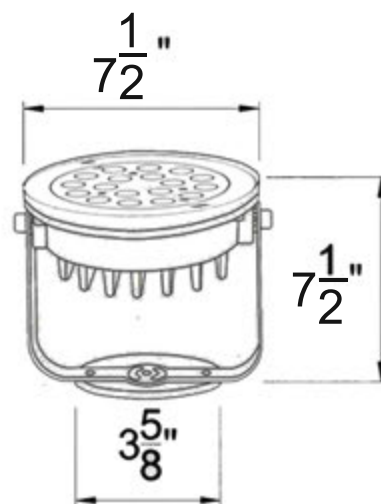
UL316-72RW

72W(18 X 4W) - RGBW

24VDC

Submersible

CAST 316L SS



Specifications

Input voltage	24VDC
Output power	72 watts (18x4W) 4 in1 RGBW
Luminous flux output	100 to 110 lm/W
Rendering Index	>70RA (warm white)
Beam angle	recommended 25 degrees - optional 10,45,60,90
LEDs	Replaceable- Internal Driver
Material	Cast 316L STAINLESS STEEL silicone gasket - tempered glass lens
Face ring	Standard 'sparkle matt' SS or mirror polish w/ niche
Color options	RGBW, RGBWW - 4 Channel DMX controllable
White	CREE- XPE - 2700K TO 6500K
LEDs operating life	> 50,000 hours - REPLACEABLE LEDs
IP rating	IP68 - CERTIFIED SUBMERSIBLE
Cable	9 FEET- SOW 18/5 - longer lengths can be ordered
Dimensions	Diameter 7 1/2"x 7 1/2"H with yoke
Certifications	cULus CSA22.2 no.89 - including swimming pools and splash pads
Installation	Submersible

